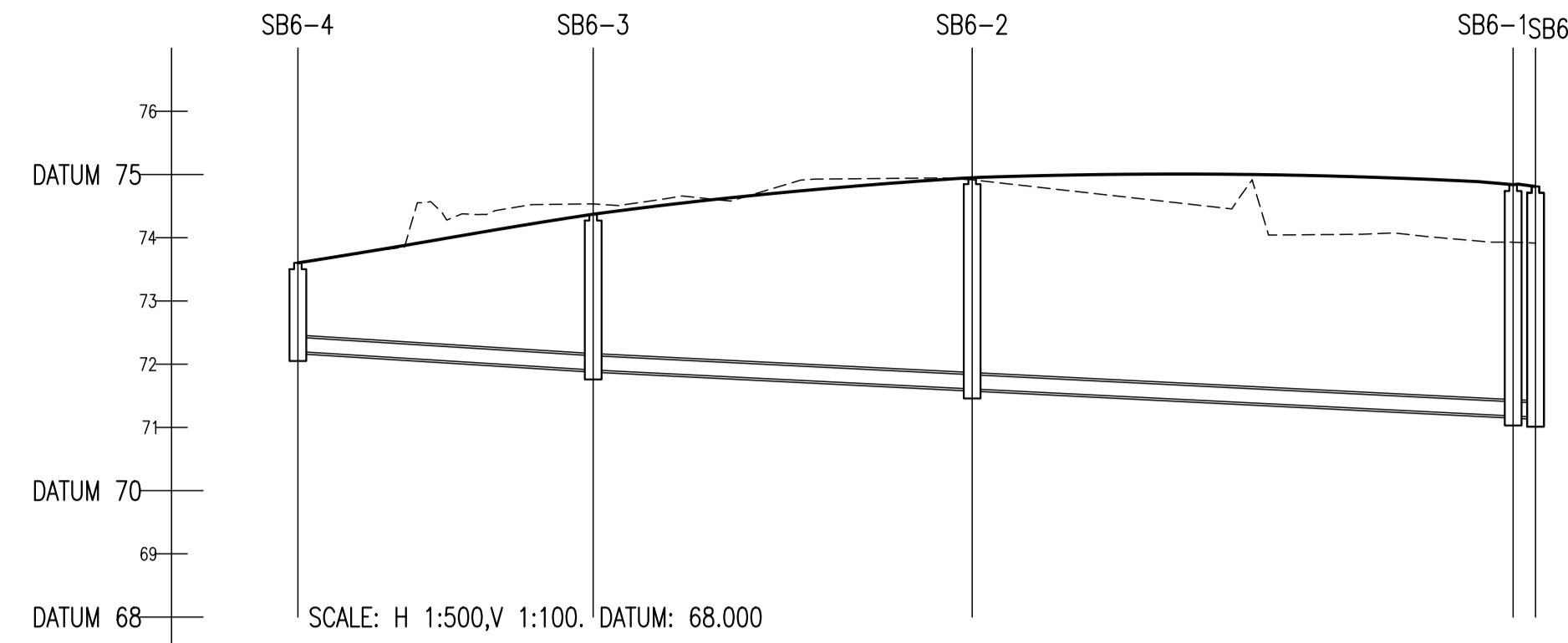


NOTES:

- ALL DRAWINGS TO BE CHECKED BY CONTRACTOR ON SITE AND ENGINEER INFORMED OF DISCREPANCIES BEFORE WORK COMMENCES
- ALL LEVELS ARE IN METRES AND ARE RELATED TO ORDINANCE DATUM
- CONTRACTOR SHALL SATISFY HIMSELF AS TO THE ACCURACY OF PAVEMENT LEVELS ON SITE PRIOR TO COMMENCEMENT OF WORKS ON SITE
- ALL WORKS TO BE CONSTRUCTED IN ACCORDANCE WITH THE NRA SPECIFICATION FOR ROAD WORKS UNLESS NOTED OTHERWISE
- THIS DRAWING IS FOR PLANNING PURPOSES ONLY
- MANHOLE COVER LEVELS ARE TO CONFORM WITH FINISHED ROAD AND PATH LEVELS
- WHERE COVER TO PIPE IS LESS THAN 1200mm (ROAD/PATH/VERGE) OR 900mm (OPEN SPACE) SURROUND PIPE IN MINIMUM 150mm CONCRETE

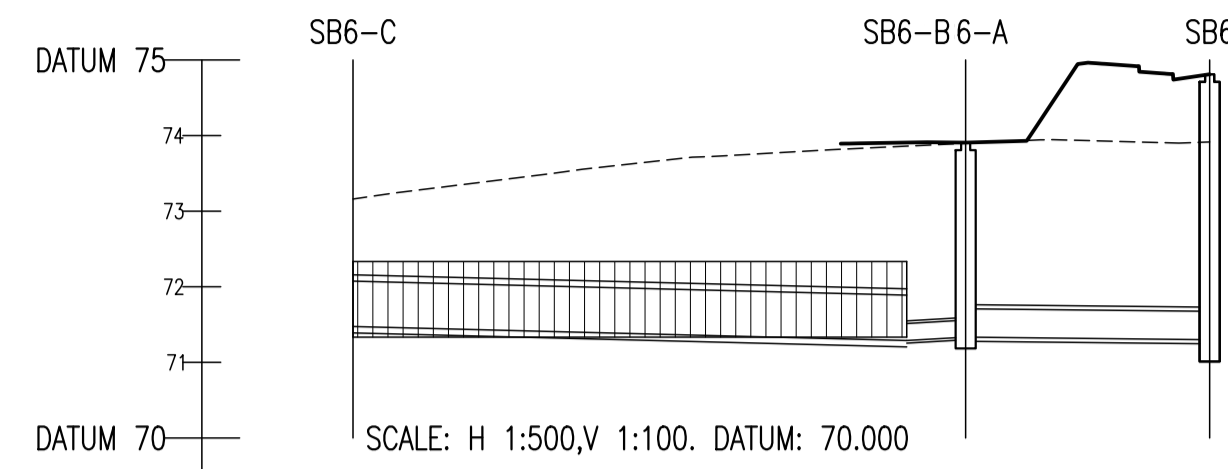
KEY

- EXISTING GROUND PROFILE
- - - - PROPOSED GROUND PROFILE



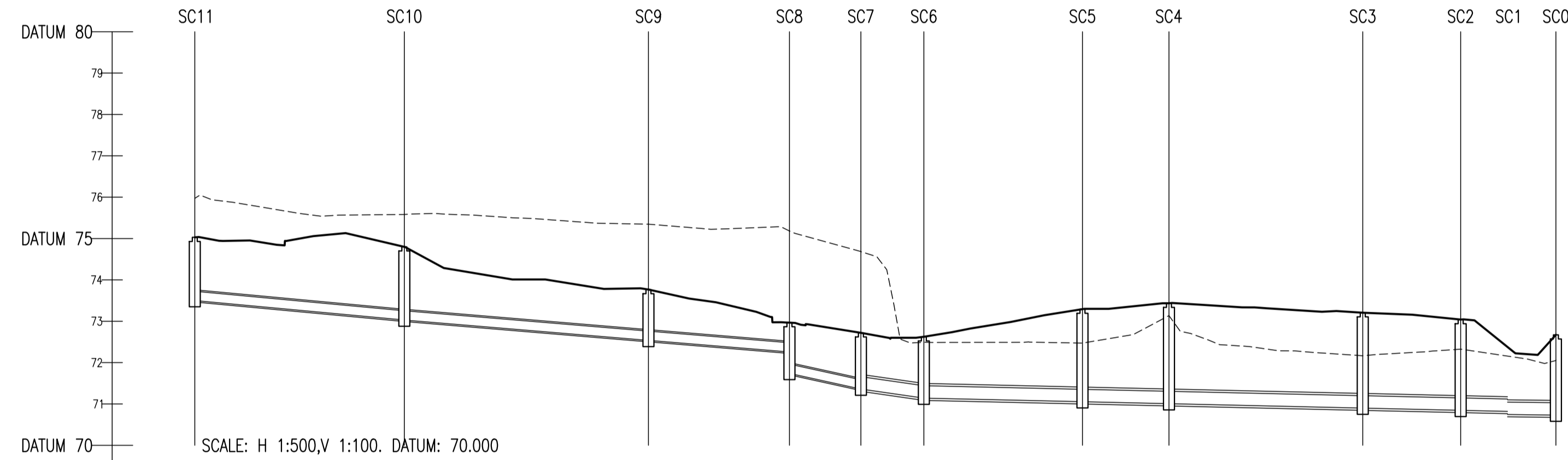
SCALE: H 1:500,V 1:100. DATUM: 68.000

COVER LEVEL	71.603	74.372	74.945	74.810
INVERT LEVEL	72.200	2.000	71.608	71.980
DEPTH (m)	1.403	2.464	3.340	3.648
DISTANCE (m)		23.37	29.99	42.81
PIPE SLOPE	1:80	1:100	1:100	1:96
PIPE SIZE	225mm	225mm	225mm	225mm



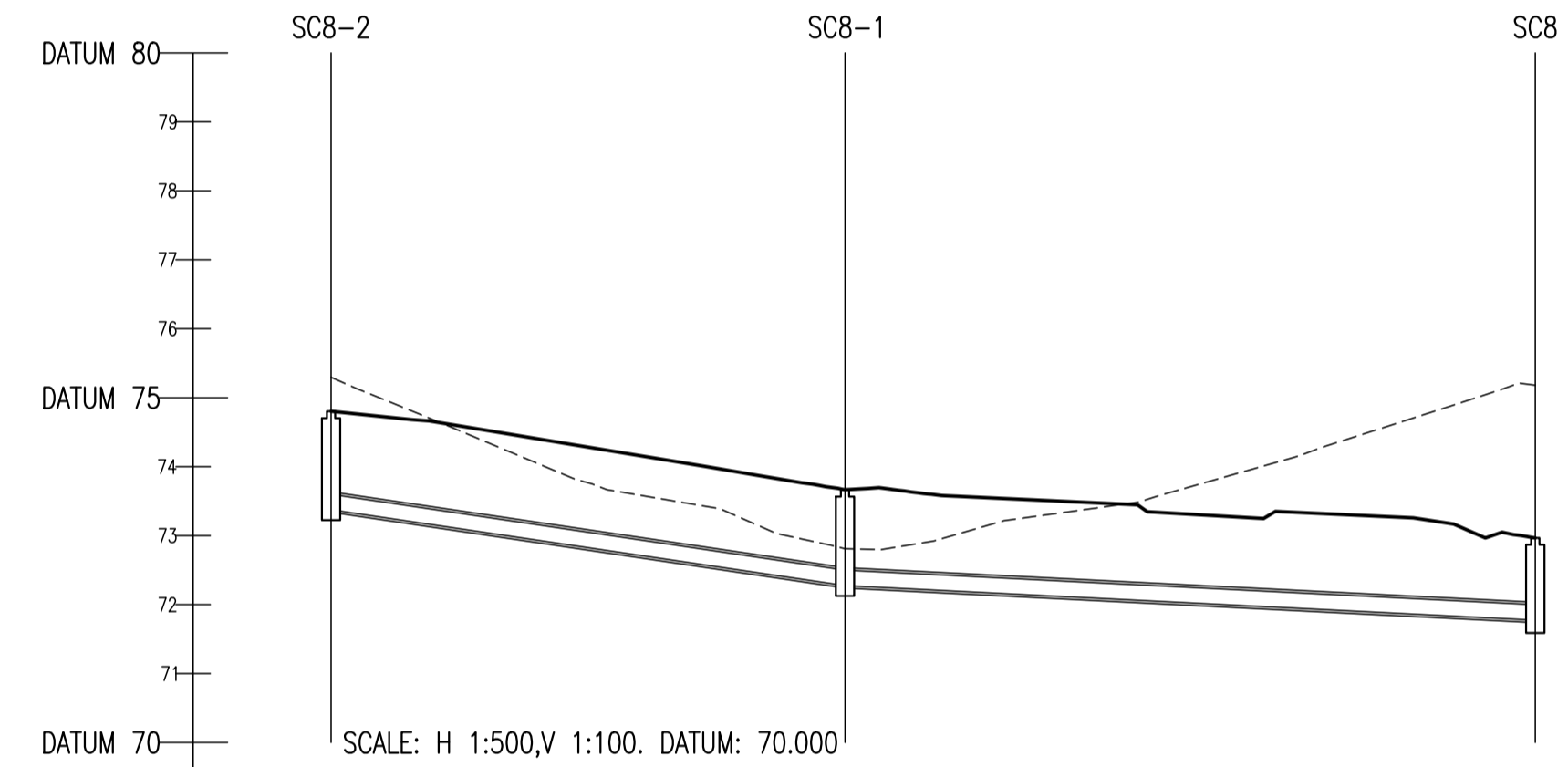
SCALE: H 1:500,V 1:100. DATUM: 70.000

COVER LEVEL	72.197	72.011	73.907	74.810
INVERT LEVEL	71.474	3.000	71.289	71.300
DEPTH (m)	???	???	2.573	3.648
DISTANCE (m)		36.62	3.90	16.14
PIPE SLOPE		1:198	1:87	1:475
PIPE SIZE		600mm	225mm	375mm



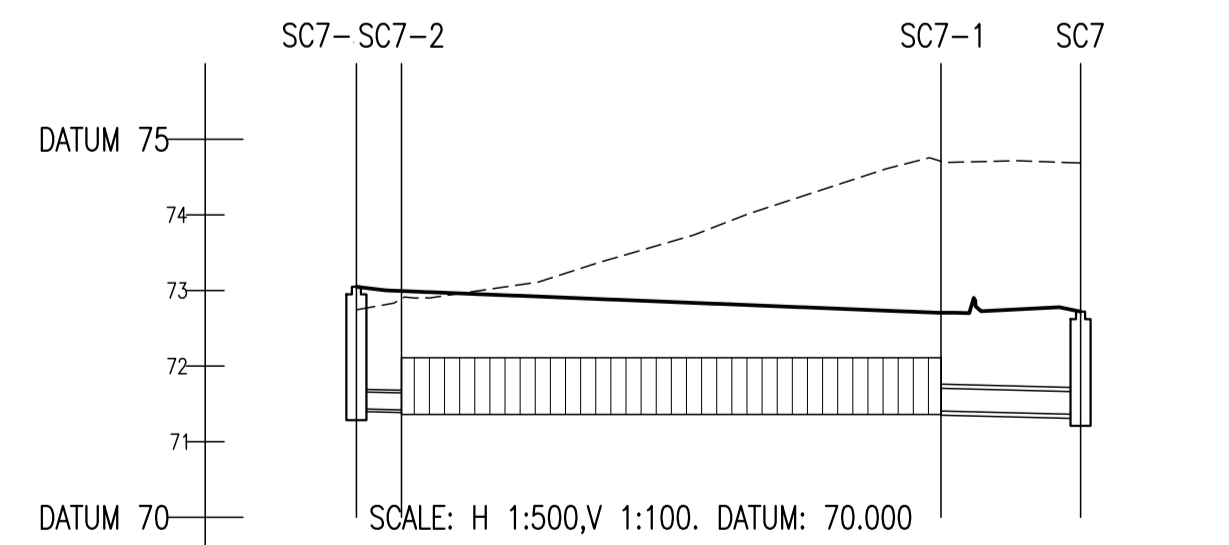
SCALE: H 1:500,V 1:100. DATUM: 70.000

COVER LEVEL	75.029	74.799	73.766	72.867	72.720	72.625	73.292	73.435	73.206	73.940	71.199	72.671
INVERT LEVEL	73.500	1.000	73.029	1.001	72.557	1.003	71.054	1.006	70.900	70.846	70.000	70.670
DEPTH (m)	1.529	1.770	1.229	1.228	1.360	1.483	2.238	2.429	2.306	2.104	???	1.941
DISTANCE (m)		25.36	29.54	17.06	8.65	7.62	19.20	10.47	23.45	11.85	5.67	5.86
PIPE SLOPE	1:54	1:60	1:61	1:61	1:23	1:35	1:220	1:220	1:220	1:220	1:384	1:384
PIPE SIZE		225mm	225mm	225mm	225mm	300mm	300mm	300mm	300mm	300mm	300mm	300mm



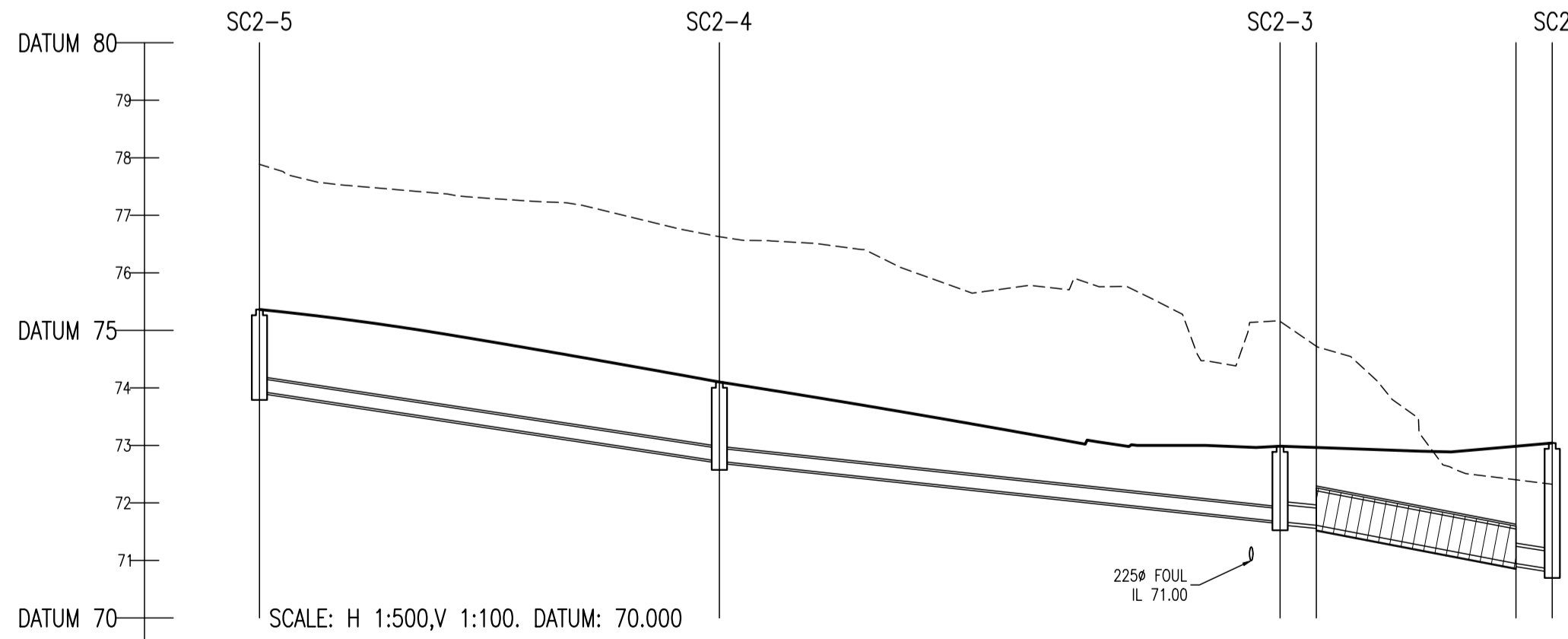
SCALE: H 1:500,V 1:100. DATUM: 70.000

COVER LEVEL	74.803	73.666	72.967
INVERT LEVEL	73.375	2.000	71.774
DEPTH (m)	1.428	1.391	1.228
DISTANCE (m)		37.26	50.05
PIPE SLOPE		1:100	1:34
PIPE SIZE		225mm	225mm



SCALE: H 1:500,V 1:100. DATUM: 70.000

COVER LEVEL	73.049	71.796	71.762	72.720
INVERT LEVEL	71.821	3.001	71.906	71.960
DEPTH (m)	1.614	???	???	1.360
DISTANCE (m)	2.98	35.69	9.23	
PIPE SLOPE	1:213	1:2412	1:201	
PIPE SIZE	225mm	1250mm	300mm	



SCALE: H 1:500,V 1:100. DATUM: 70.000

COVER LEVEL	75.363	74.102	72.986	73.040
INVERT LEVEL	73.940	4.000	71.674	70.946
DEPTH (m)	1.423	1.378	1.312	2.194
DISTANCE (m)		40.00	3.16	3.16
PIPE SLOPE		1:33	1:50	1:32
PIPE SIZE		225mm	300mm	300mm

REV.	DATE	DESCRIPTION	BY	CHKD.
PLANNING				
DESIGNED	BK	PREPARED	APR 2019	
DATE	ICD	CHECKED	DJR	

DBFL Consulting Engineers

DBFL Consulting Engineers
 Dublin Office: Ormond House, Upper Ormond Quay, Dublin 7, Ireland. PHONE +353 1 400 4000 FAX +353 1 400 4050
 Waterford Office: Unit 2, The Chandley, 1-2 O'Connell Street, Waterford, Ireland. PHONE +353 51 309 500 FAX +353 51 844 913
 Email: info@dbfl.ie site: www.dbfl.ie

PROJECT
LANDS AT CAPDOO, CLANE, CO. KILDARE

DRG. TITLE
LONGITUDINAL SECTIONS THROUGH SURFACE WATER SHEET 6

CLIENT
ARDSTONE RESIDENTIAL FUND