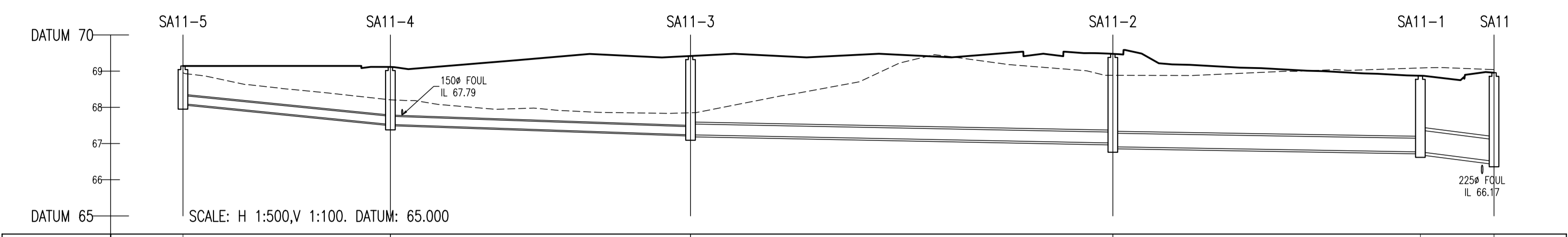
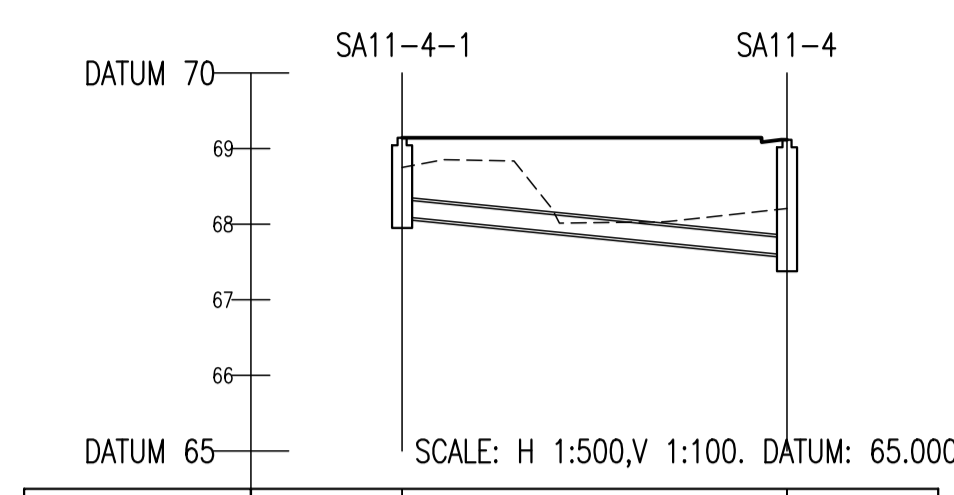


- NOTES:
- ALL DRAWINGS TO BE CHECKED BY CONTRACTOR ON SITE AND ENGINEER INFORMED OF DISCREPANCIES BEFORE WORK COMMENCES
  - ALL LEVELS ARE IN METRES AND ARE RELATED TO ORDNANCE DATUM
  - CONTRACTOR SHALL SATISFY HIMSELF AS TO THE ACCURACY OF PAVEMENT LEVELS ON SITE PRIOR TO COMMENCEMENT OF WORKS ON SITE
  - ALL WORKS TO BE CONSTRUCTED IN ACCORDANCE WITH THE NRA SPECIFICATION FOR ROAD WORKS UNLESS NOTED OTHERWISE
  - THIS DRAWING IS FOR PLANNING PURPOSES ONLY
  - MANHOLE COVER LEVELS ARE TO CONFORM WITH FINISHED ROAD AND PATH LEVELS
  - WHERE COVER TO PIPE IS LESS THAN 1200mm (ROAD/PATH/VERGE) OR 900mm (OPEN SPACE) SURROUND PIPE IN MINIMUM 150mm CONCRETE

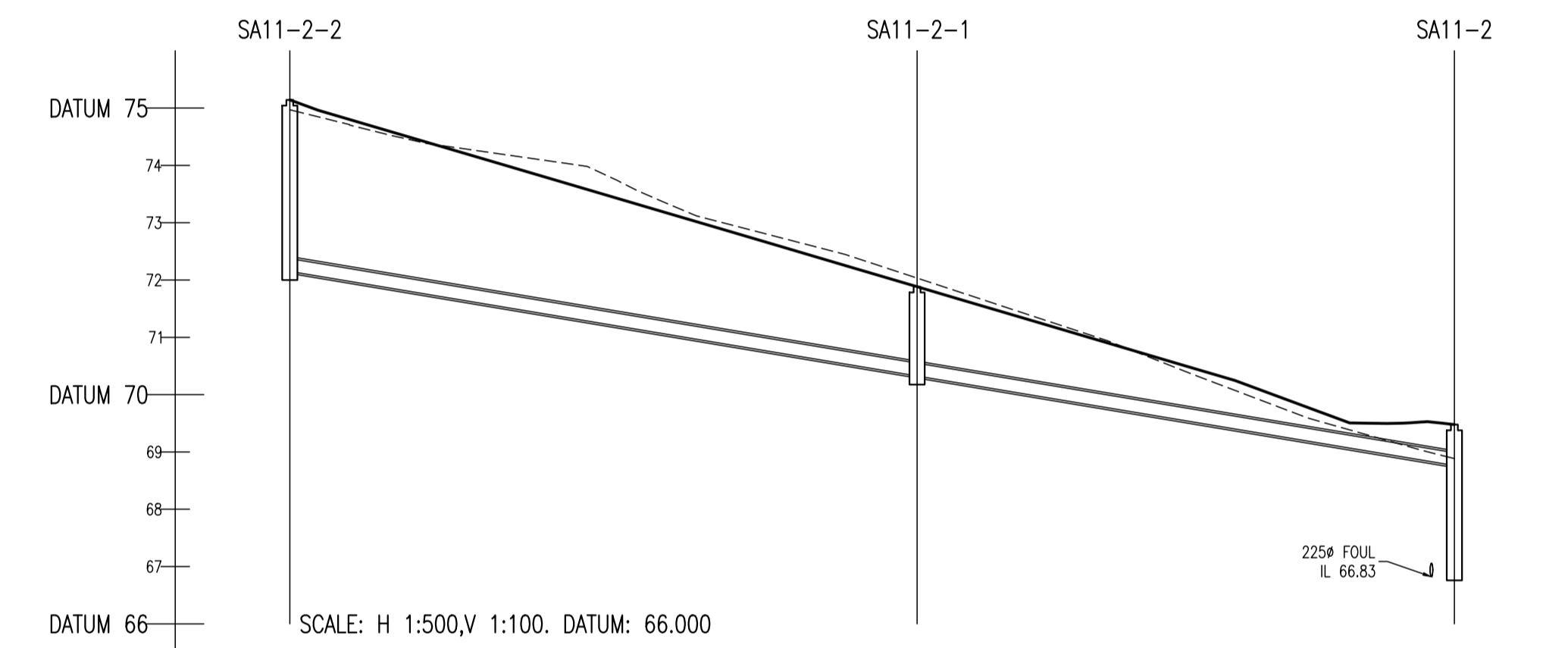
KEY  
 - - - - - EXISTING GROUND PROFILE  
 \_\_\_\_\_ PROPOSED GROUND PROFILE



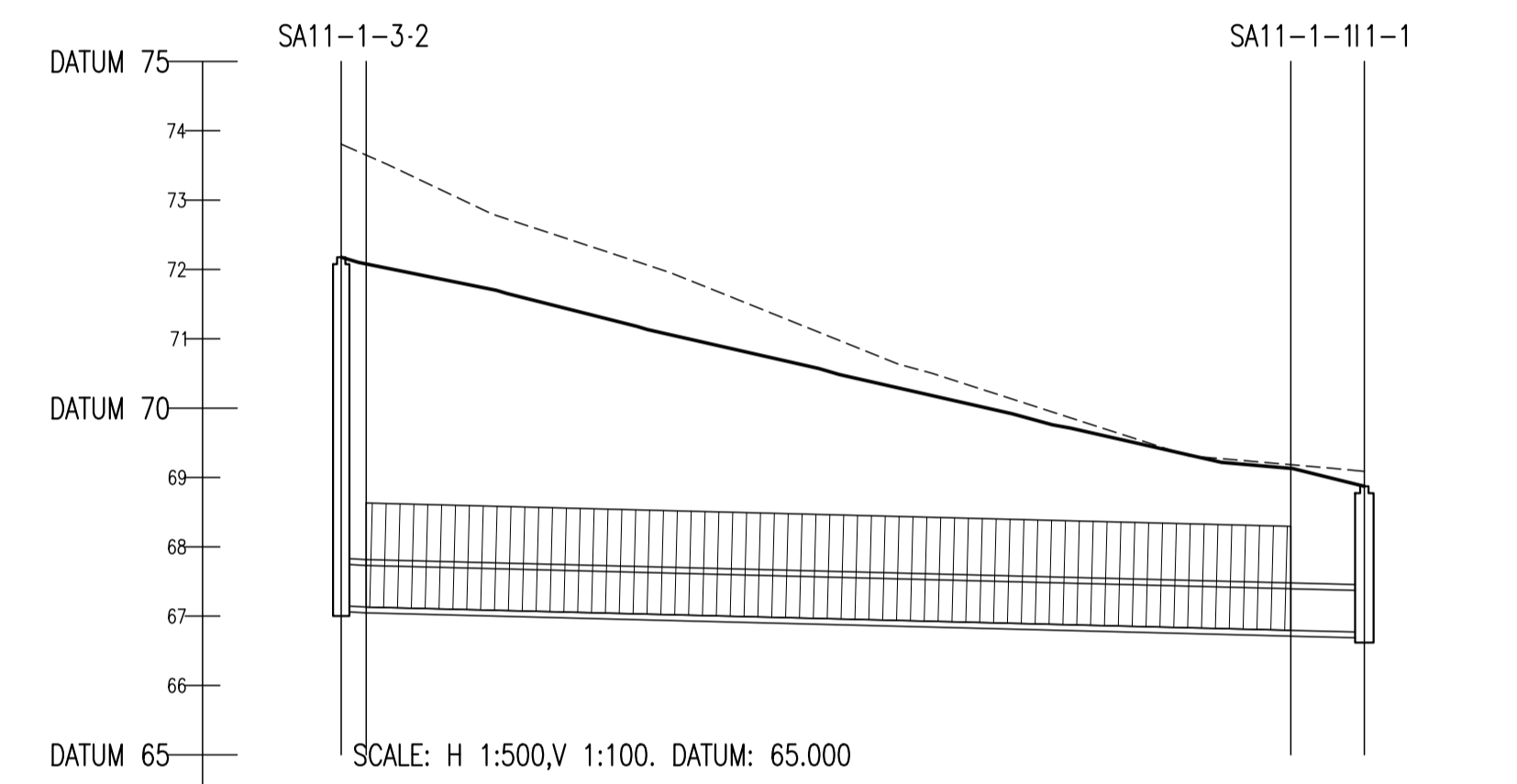
| COVER LEVEL  | 69.143 | 69.117 | 69.145 | 69.477 | 68.873 | 68.957 |
|--------------|--------|--------|--------|--------|--------|--------|
| INVERT LEVEL | 68.100 | 67.527 | 67.240 | 67.015 | 66.769 | 66.508 |
| DEPTH (m)    | 1.043  | 1.590  | 2.178  | 2.588  | 2.104  | 2.449  |
| DISTANCE (m) |        | 28.67  | 41.49  | 58.37  | 10.18  |        |
| PIPE SLOPE   |        | 1:50   | 1:145  | 1:259  | 1:303  | 1:39   |
| PIPE SIZE    |        | 225mm  | 225mm  | 300mm  | 375mm  | 600mm  |



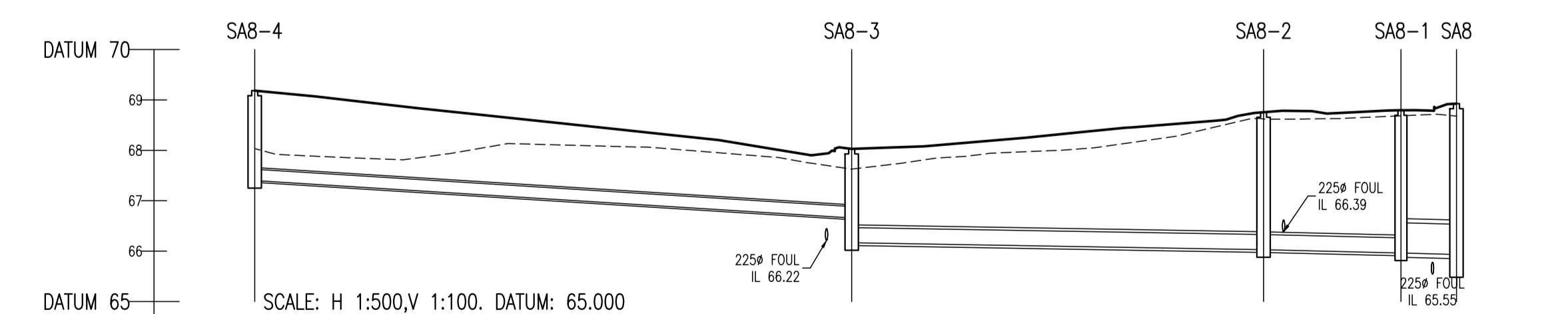
| COVER LEVEL  | 69.143 | 69.117 |
|--------------|--------|--------|
| INVERT LEVEL | 68.100 | 67.591 |
| DEPTH (m)    | 1.043  | 1.590  |
| DISTANCE (m) |        | 25.46  |
| PIPE SLOPE   |        | 1:50   |
| PIPE SIZE    |        | 225mm  |



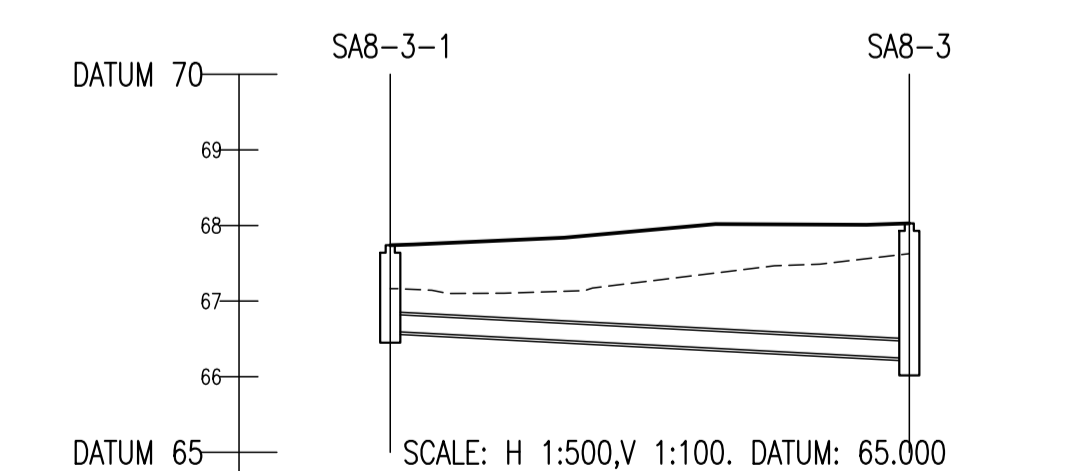
| COVER LEVEL  | 75.143 | 71.883 |
|--------------|--------|--------|
| INVERT LEVEL | 72.150 | 70.325 |
| DEPTH (m)    | 2.993  | 1.598  |
| DISTANCE (m) |        | 54.74  |
| PIPE SLOPE   |        | 1:30   |
| PIPE SIZE    |        | 225mm  |



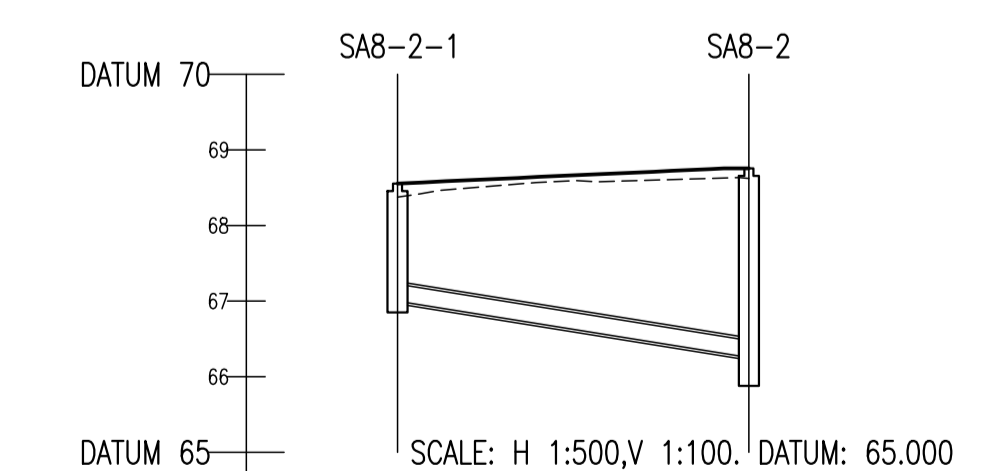
| COVER LEVEL  | 72.176                 | 67.837 |
|--------------|------------------------|--------|
| INVERT LEVEL | 66.795 <td>66.295</td> | 66.295 |
| DEPTH (m)    | 5.481                  | 1.542  |
| DISTANCE (m) |                        | 16.001 |
| PIPE SLOPE   |                        | 1:198  |
| PIPE SIZE    |                        | 600mm  |



| COVER LEVEL  | 68.184 | 68.028 | 68.756 | 68.795 | 68.926 |
|--------------|--------|--------|--------|--------|--------|
| INVERT LEVEL | 67.400 | 66.659 | 66.029 | 65.983 | 65.933 |
| DEPTH (m)    | 1.784  | 1.861  | 2.727  | 2.813  | 3.044  |
| DISTANCE (m) |        | 59.28  | 40.89  | 13.64  | 5.51   |
| PIPE SLOPE   |        | 1:80   | 1:296  | 1:206  | 1:184  |
| PIPE SIZE    |        | 225mm  | 300mm  | 300mm  | 600mm  |



| COVER LEVEL  | 67.739 | 68.028 |
|--------------|--------|--------|
| INVERT LEVEL | 66.600 | 66.242 |
| DEPTH (m)    | 1.139  | 1.886  |
| DISTANCE (m) |        | 34.33  |
| PIPE SLOPE   |        | 1:96   |
| PIPE SIZE    |        | 225mm  |



| COVER LEVEL  | 68.354 | 68.756 |
|--------------|--------|--------|
| INVERT LEVEL | 67.000 | 66.254 |
| DEPTH (m)    | 1.354  | 2.727  |
| DISTANCE (m) |        | 23.24  |
| PIPE SLOPE   |        | 1:31   |
| PIPE SIZE    |        | 225mm  |

| REV             | DATE     | DESCRIPTION | BY  | CHKD |
|-----------------|----------|-------------|-----|------|
| <b>PLANNING</b> |          |             |     |      |
| DESIGNED        | BK       | PREPARED    | ICD |      |
| DATE            | APR 2019 | CHECKED     | DJR |      |

DBFL Consulting Engineers  
 Dublin Office: Ormond House, Upper Ormond Quay, Dublin 7, Ireland. PHONE: +353 1 400 4000 FAX: +353 1 400 4050  
 Waterford Office: Unit 2, The Chandlery, 1-2 O'Connell Street, Waterford, Ireland. PHONE: +353 51 309 550 FAX: +353 51 844 913  
 Email: info@dbfl.ie site: www.dbfl.ie

PROJECT  
**LANDS AT CAPDOO, CLANE, CO. KILDARE**

DRG. TITLE  
**LONGITUDINAL SECTIONS THROUGH SURFACE WATER SHEET 4**

CLIENT  
**ARDSTONE RESIDENTIAL FUND**