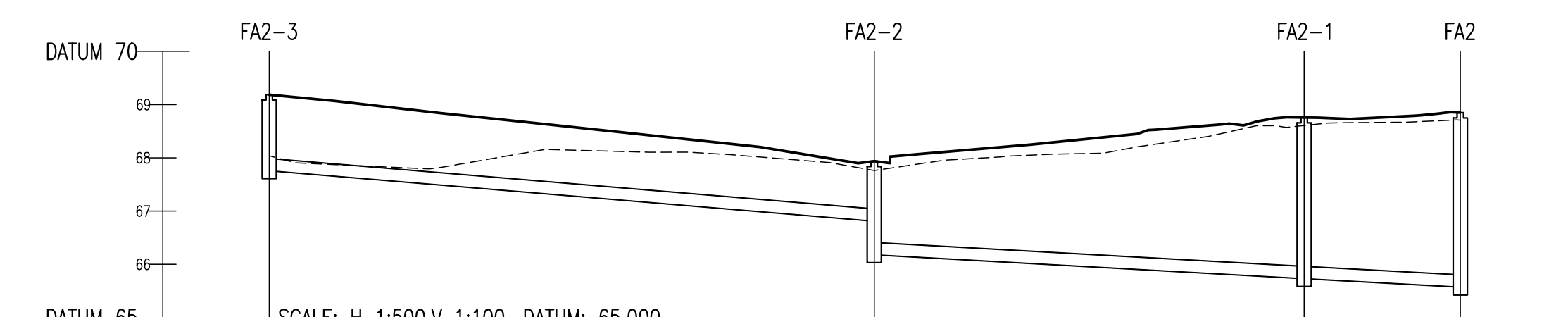


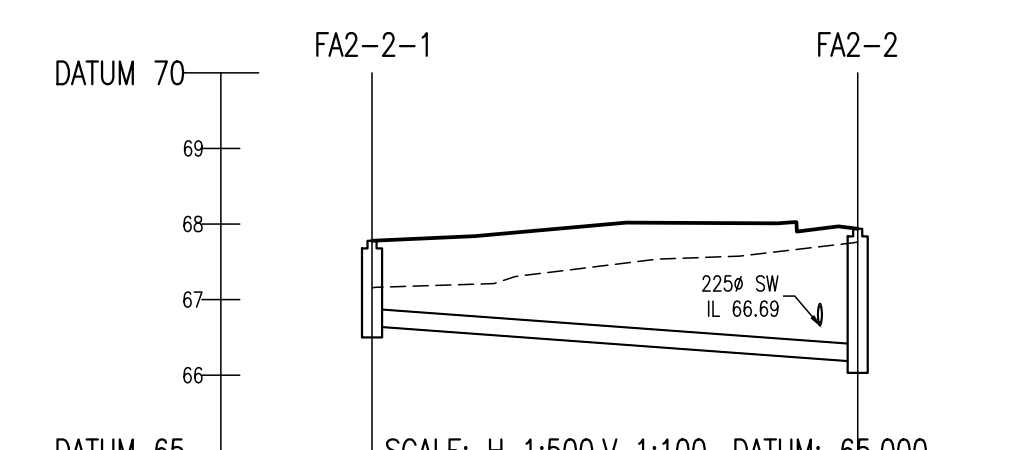
- NOTES:
- ALL DRAWINGS TO BE CHECKED BY CONTRACTOR ON SITE AND ENGINEER INFORMED OF DISCREPANCIES BEFORE WORK COMMENCES
 - ALL LEVELS ARE IN METRES AND ARE RELATED TO ORDNANCE DATUM
 - CONTRACTOR SHALL SATISFY HIMSELF AS TO THE ACCURACY OF PAVEMENT LEVELS ON SITE PRIOR TO COMMENCEMENT OF WORKS ON SITE
 - ALL WORKS TO BE CONSTRUCTED IN ACCORDANCE WITH THE NRA SPECIFICATION FOR ROAD WORKS UNLESS NOTED OTHERWISE
 - THIS DRAWING IS FOR PLANNING PURPOSES ONLY
 - MANHOLE COVER LEVELS ARE TO CONFORM WITH FINISHED ROAD AND PATH LEVELS
 - WHERE COVER TO PIPE IS LESS THAN 1200mm (ROAD/PATH/VERGE) OR 900mm (OPEN SPACE) SURROUND PIPE IN MINIMUM 150mm CONCRETE

KEY
 - - - - - EXISTING GROUND PROFILE
 _____ PROPOSED GROUND PROFILE



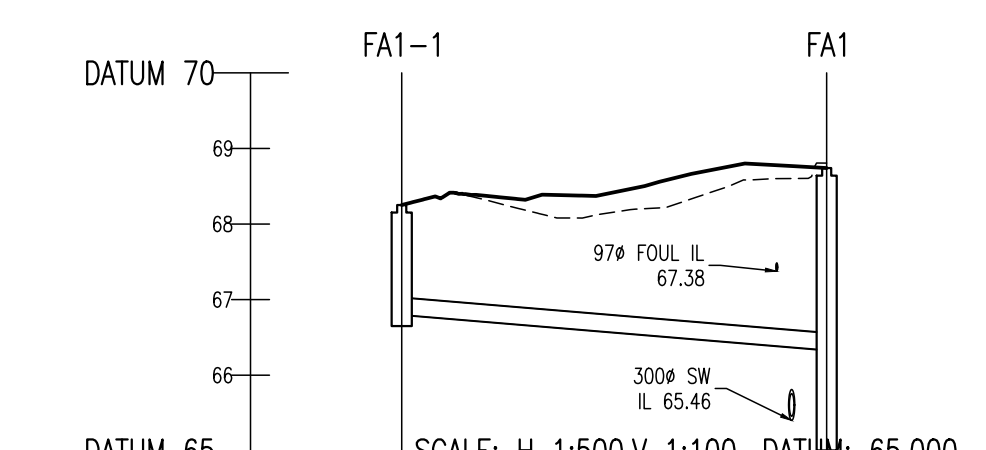
SCALE: H 1:500, V 1:100. DATUM: 65.000

COVER LEVEL	69.186	67.937	68.757	68.849
INVERT LEVEL	67.760	10.000	66.812	65.574
DEPTH (m)	1.426	1.756	3.024	3.275
DISTANCE (m)		56.83	40.38	14.67
PIPE SLOPE		1:60	1:90	1:92
PIPE SIZE		225mm	225mm	225mm



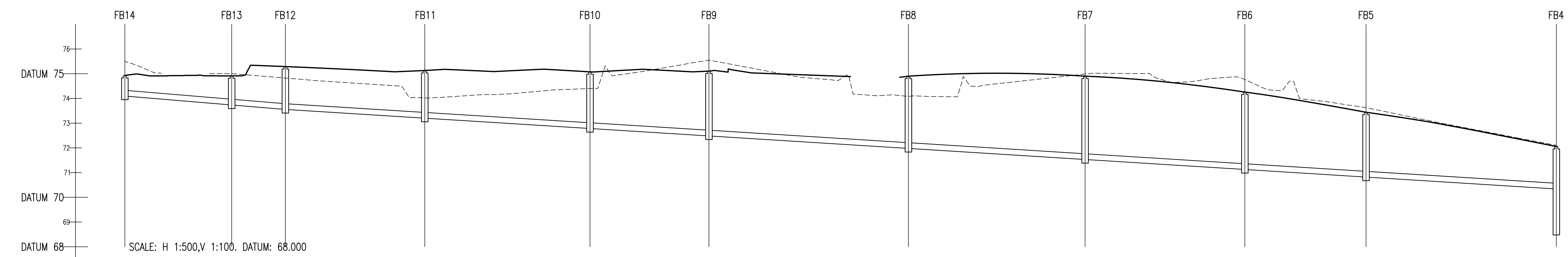
SCALE: H 1:500, V 1:100. DATUM: 65.000

COVER LEVEL	67.778	67.937
INVERT LEVEL	66.650	66.181
DEPTH (m)	1.128	1.756
DISTANCE (m)		32.12
PIPE SLOPE		1:68
PIPE SIZE		225mm



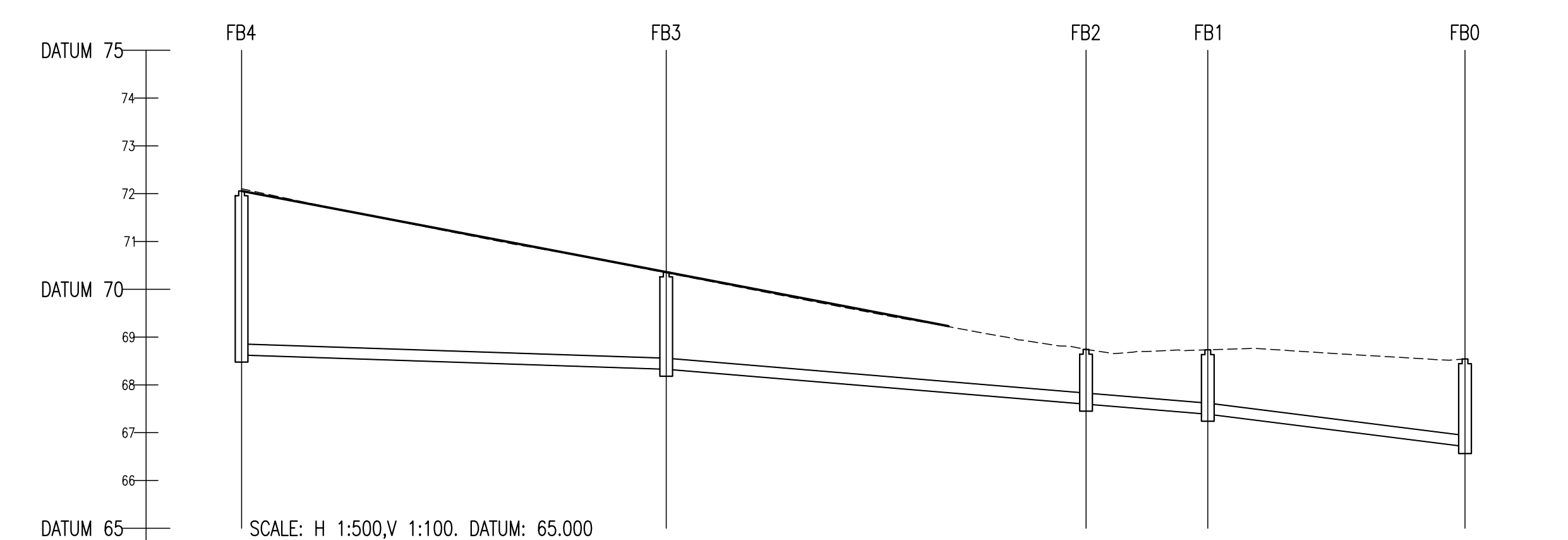
SCALE: H 1:500, V 1:100. DATUM: 65.000

COVER LEVEL	68.252	68.740
INVERT LEVEL	66.800	66.332
DEPTH (m)	1.452	3.384
DISTANCE (m)		28.11
PIPE SLOPE		1:60
PIPE SIZE		225mm



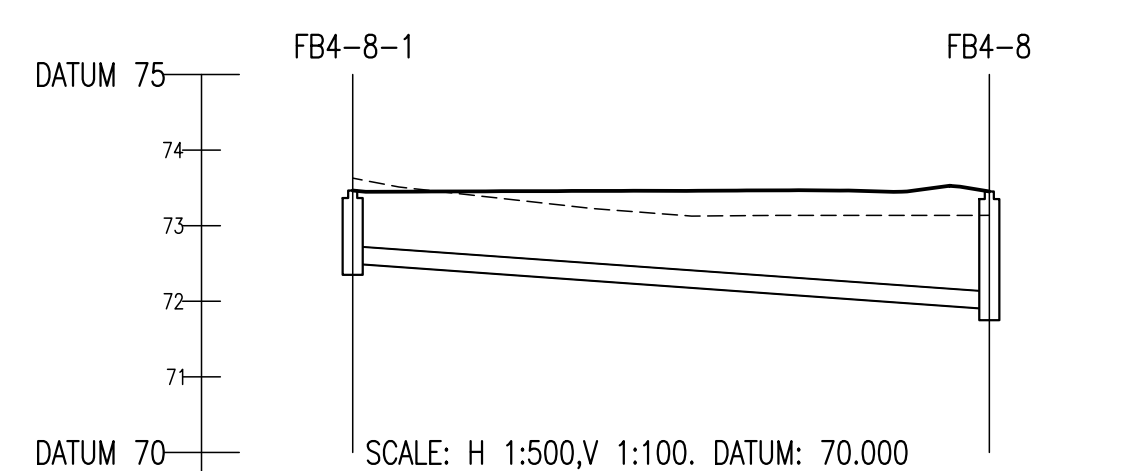
SCALE: H 1:500, V 1:100. DATUM: 68.000

COVER LEVEL	74.929	74.911	75.129	75.105	74.900	74.901	74.257	73.441	72.056
INVERT LEVEL	74.100	73.739	73.205	72.787	71.981	71.533	71.129	70.822	70.340
DEPTH (m)	0.829	1.172	1.724	2.288	2.919	3.368	3.128	2.619	3.429
DISTANCE (m)		21.63	10.88	28.23	33.47	40.40	35.79	32.36	24.55
PIPE SLOPE		1:60	1:60	1:80	1:80	1:80	1:80	1:80	1:80
PIPE SIZE		225mm	225mm	225mm	225mm	225mm	225mm	225mm	225mm



SCALE: H 1:500, V 1:100. DATUM: 65.000

COVER LEVEL	72.056	70.360	68.742	68.744	66.713
INVERT LEVEL	68.627	68.130	67.600	67.390	66.713
DEPTH (m)	3.429	2.030	1.142	1.344	1.830
DISTANCE (m)		44.46	43.95	12.75	26.93
PIPE SLOPE		1:150	1:60	1:61	1:40
PIPE SIZE		225mm	225mm	225mm	225mm



SCALE: H 1:500, V 1:100. DATUM: 70.000

COVER LEVEL	73.465	73.462
INVERT LEVEL	72.500	71.900
DEPTH (m)	0.965	1.562
DISTANCE (m)		42.11
PIPE SLOPE		1:70
PIPE SIZE		225mm

REV.	DATE	DESCRIPTION	BY	CHKD.
PLANNING				
DESIGNED	BK	PREPARED	ICD	
DATE	APR 2019	CHECKED	DJR	

DBFL Consulting Engineers
 Dublin Office: Ormond House, Upper Ormond Quay, Dublin 7, Ireland. Phone: +353 1 400 4000 Fax: +353 1 400 4050
 Waterford Office: Unit 2, The Chandlery, 1-2 O'Connell Street, Waterford, Ireland. Phone: +353 51 339 550 Fax: +353 51 844 913
 Email: info@dbfl.ie site: www.dbfl.ie

PROJECT
LANDS AT CAPDOO, CLANE, CO. KILDARE

DRG. TITLE
LONGITUDINAL SECTIONS THROUGH FOUL SEWER SHEET 3

CLIENT
ARDSTONE RESIDENTIAL FUND

SCALE	1:500 @A1	FILE REF.	162074-3020
DRG. NO.	162074-3023		