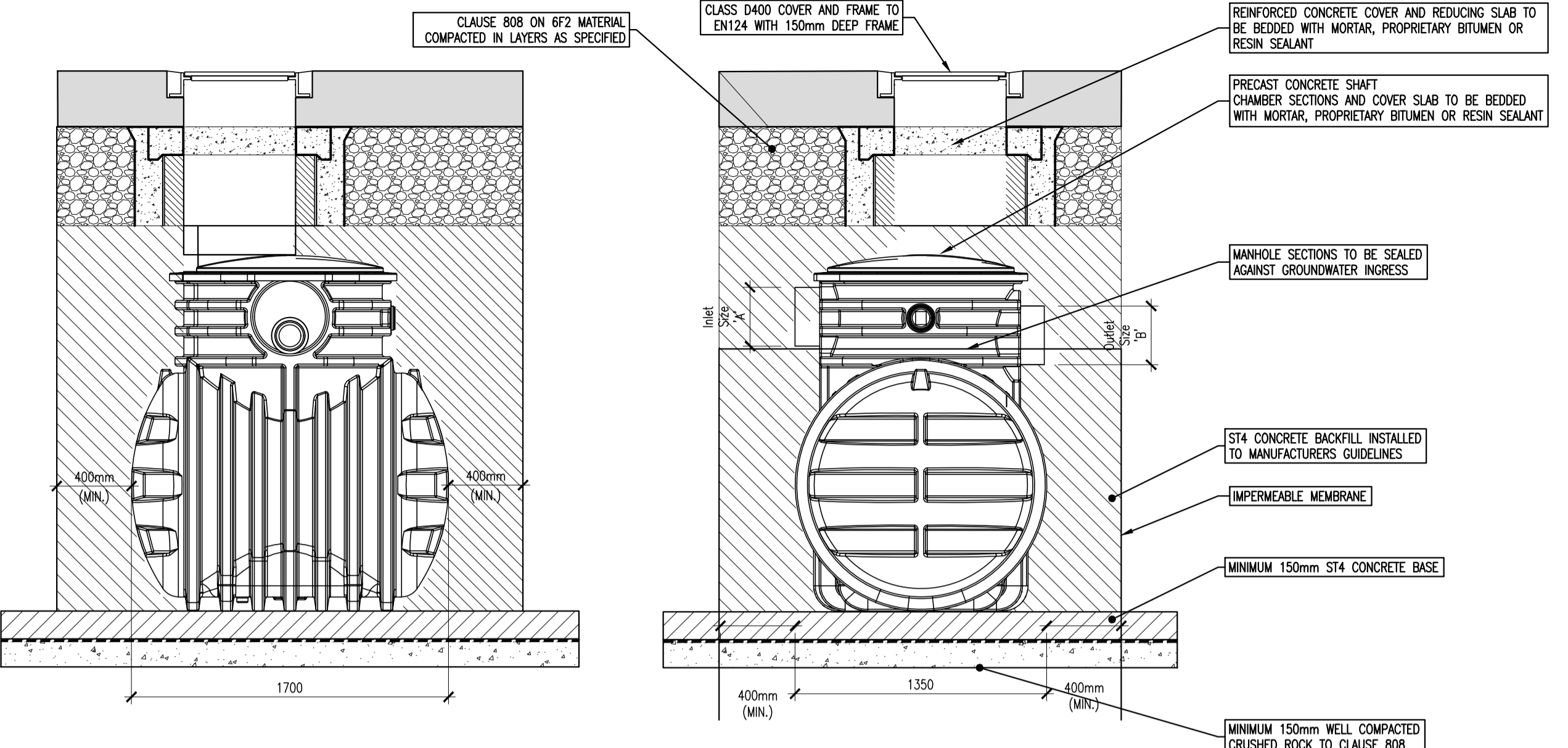
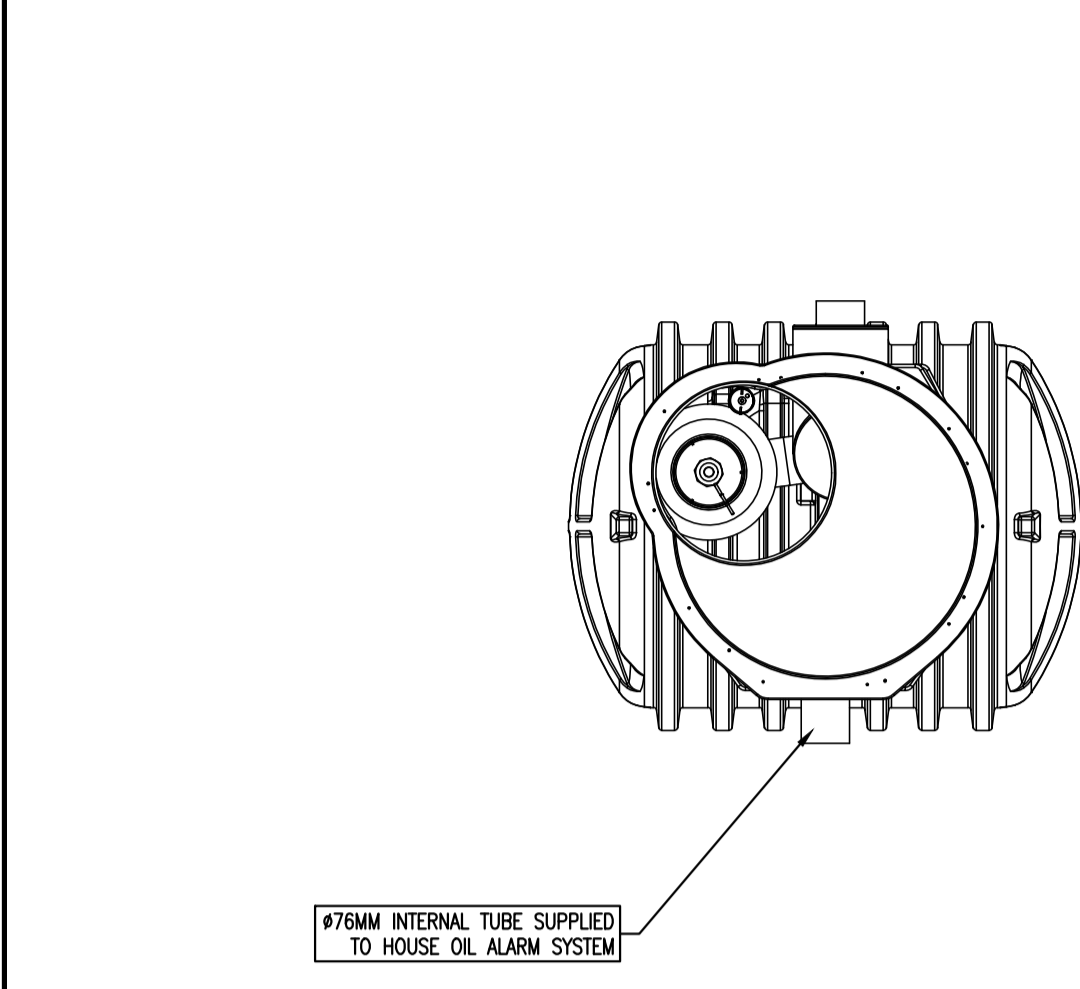
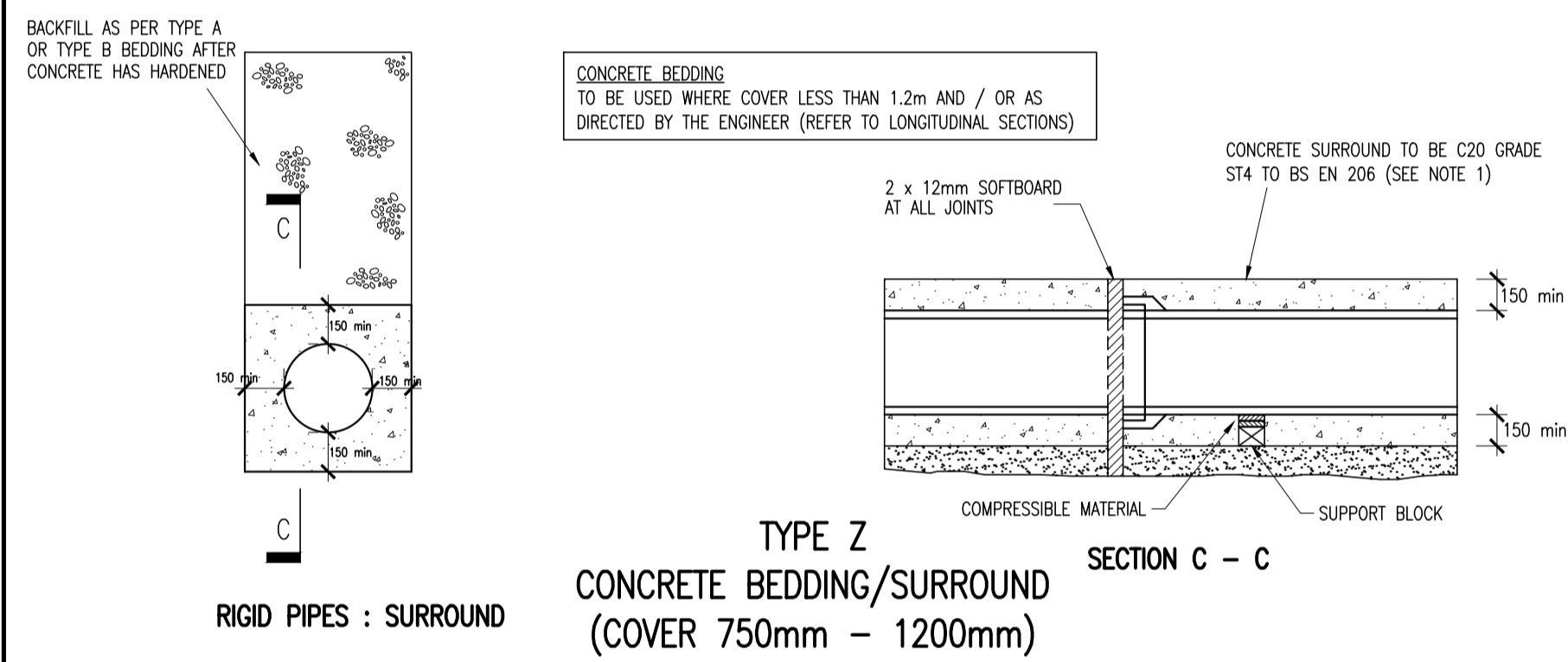


DIMENSIONS

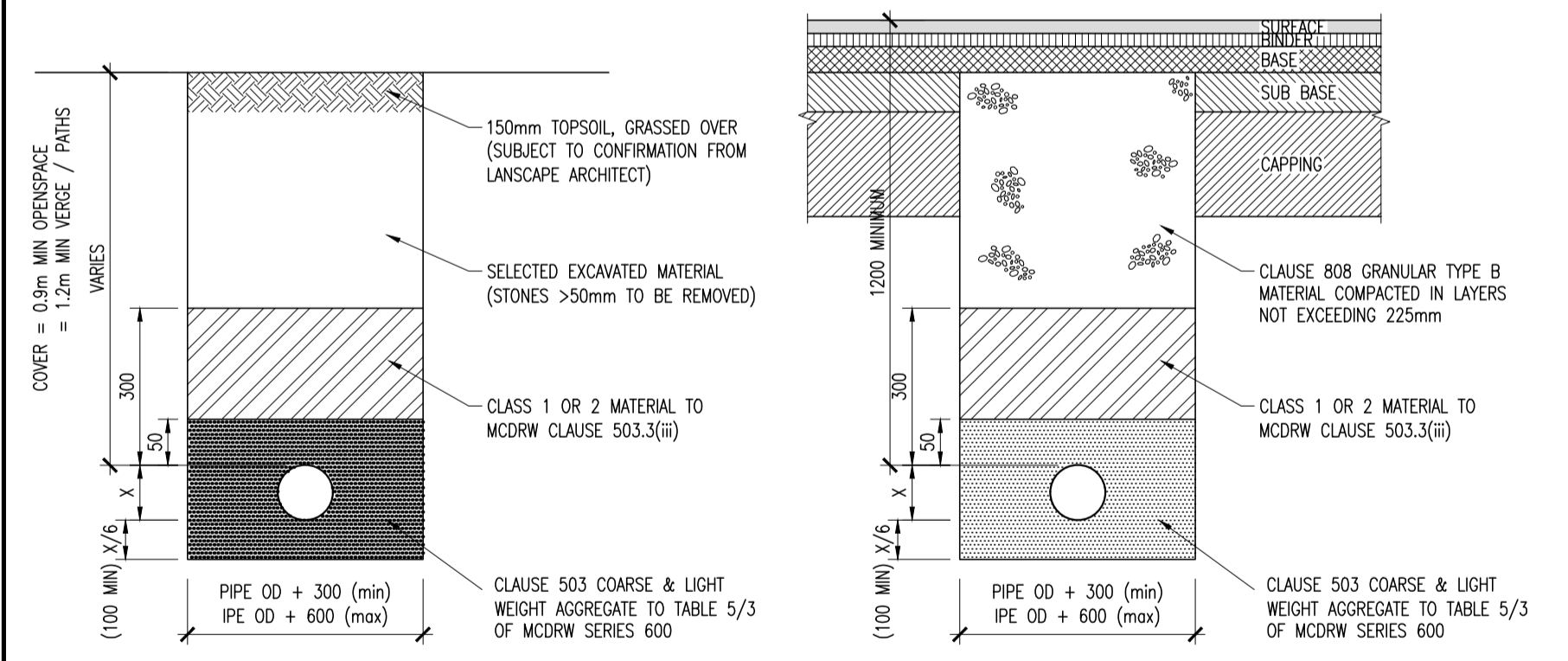
UNIT REF. No.	NOMINAL FLOW	STD. PIPE Ø	APPROX. EMPTY WEIGHT (KG)	FALL ACROSS UNIT	INLET SIZE 'A'	INLET SIZE 'B'
NSFP006	6 L/S	160	180	50	225	225
NSFP010	10 L/S	200	50	225	225	225
NSFP015	10 L/S	200	50	225	225	225



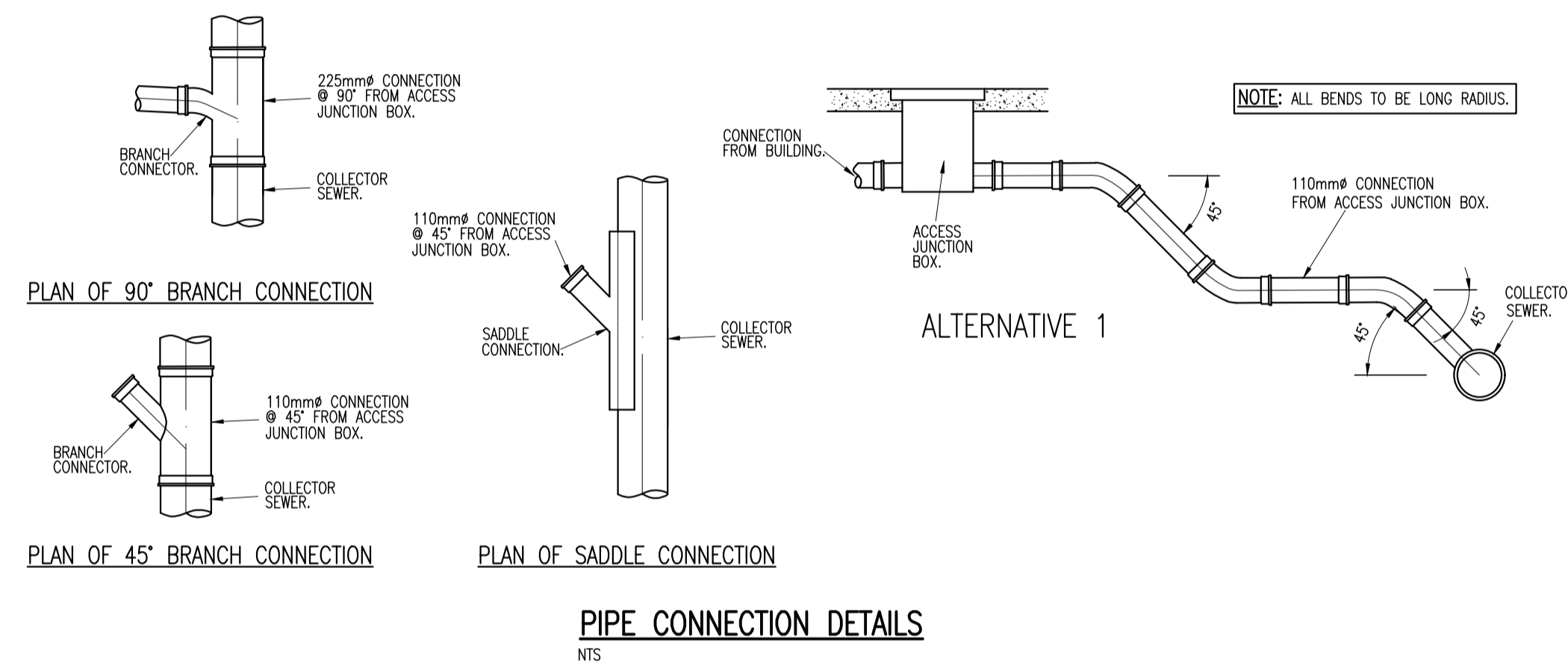
NSFP006 FULL RETENTION OIL SEPARATOR DETAIL  
SCALE 1:25



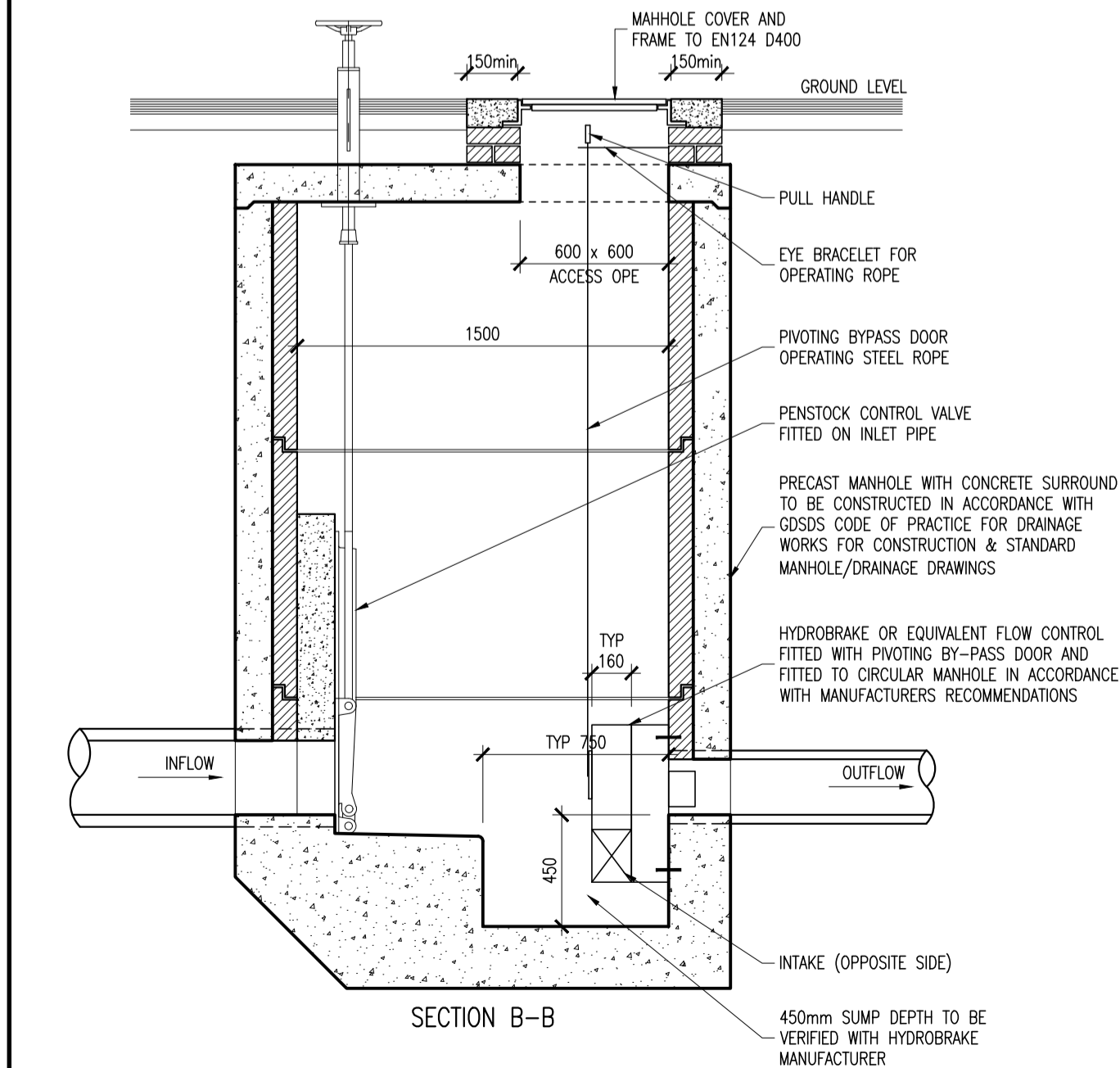
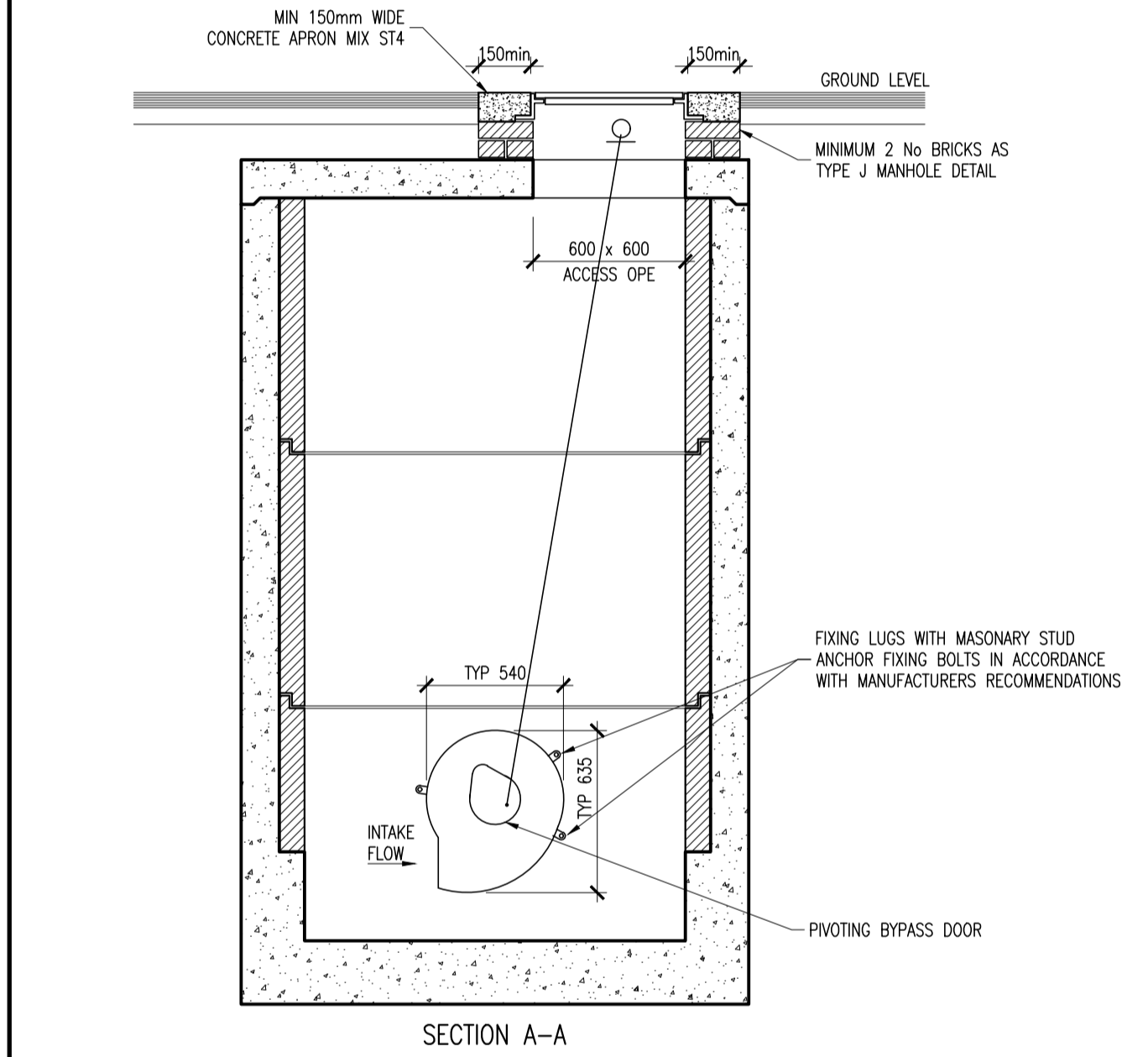
TYPE Z CONCRETE BEDDING/SURROUND (COVER 750mm - 1200mm)  
RIGID PIPES : SURROUND



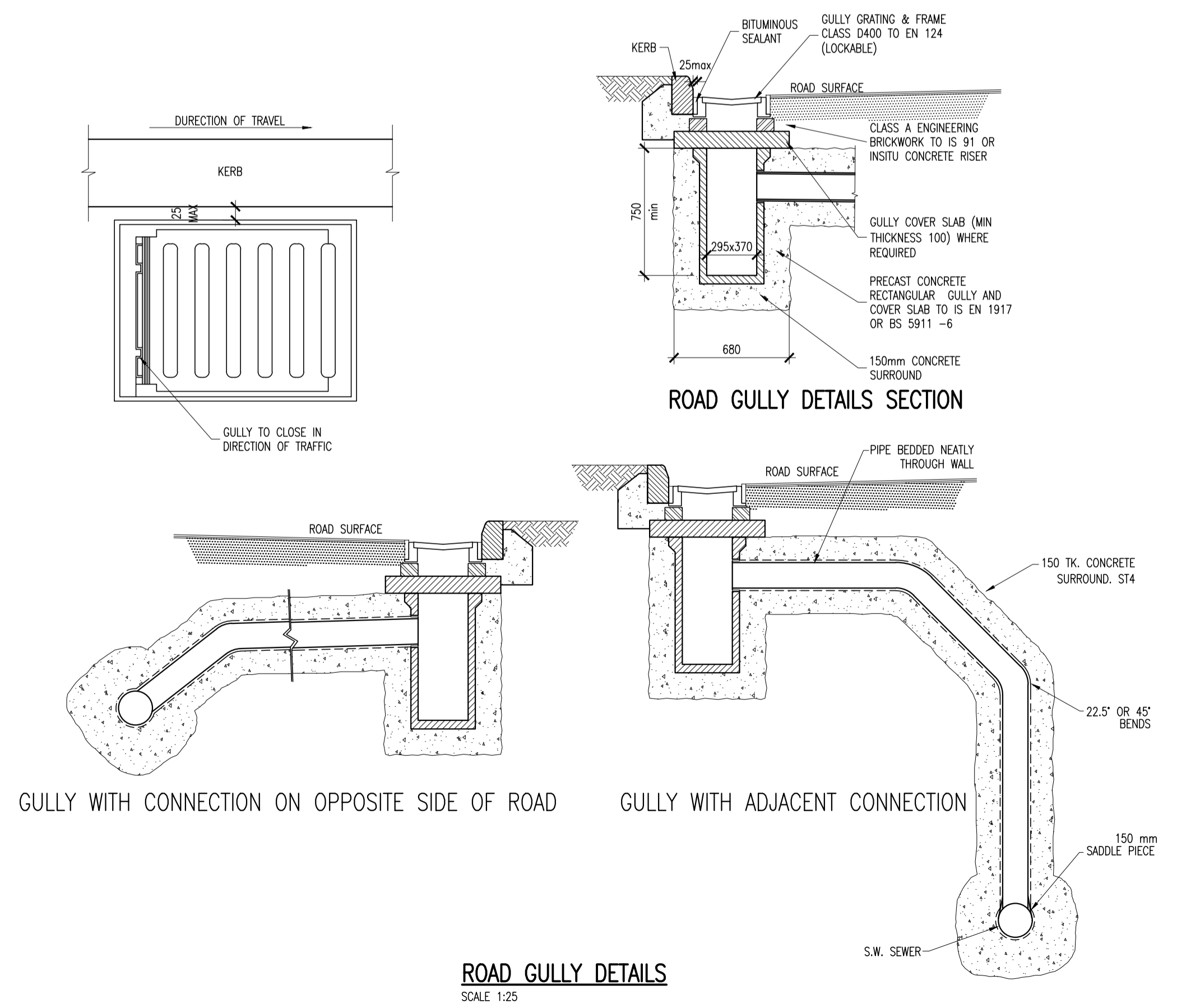
TYPE S (COVER > 1.2 METRES TO CROWN)  
PIPE BEDDING DETAILS  
SCALE 1:25



PIPE CONNECTION DETAILS  
NTS

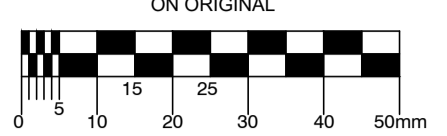


FLOW CONTROL MANHOLE DETAIL  
SCALE 1:25



ROAD GULLY DETAILS  
SCALE 1:25

© COPYRIGHT OF THIS DRAWING IS RESERVED BY DBFL CONSULTING ENGINEERS. NO PART SHALL BE REPRODUCED OR TRANSMITTED WITHOUT THEIR WRITTEN PERMISSION.



- NOTES:
- TYPE 1 GRANULAR MATERIAL : BROKEN STONE OR GRAVEL TO PASS 10mm SIEVE AND BE RETAINED ON 5mm SIEVE.
  - TYPE 2 GRANULAR MATERIAL : BROKEN STONE OR GRAVEL TO PASS 10mm - 25mm SIEVE, ACCORDING TO PIPE SIZE, (SEE TABLE) AND BE RETAINED ON 5mm SIEVE.
  - CLAUSE 601 S.R.W. BACKFILL : UNIFORM READILY COMPACTED MATERIAL FREE FROM TREE ROOTS, VEGETABLE MATTER, BUILDING DEBRIS, AND FROZEN SOIL AND EXCLUDING CLAY LUMPS RETAINED ON A 75mm SIEVE AND STONES RETAINED ON A 37.5mm SIEVE.
  - GULLY WALLS SHALL BE CONSTRUCTED IN CLASS 30N/mm2 PRECAST OR INSTITU CONCRETE OR ALTERNATIVELY IN SOLID CONCRETE BLOCKS DESIGNATED S10, STRENGTH 10N/mm2
  - ALL PIPES TO BE BEDDED IN ACCORDANCE WITH MANUFACTURERS RECOMMENDATIONS

REV.	DATE	DESCRIPTION	BY	CHKD.
<b>PLANNING</b>				
DESIGNED	BK	PREPARED	ICD	
DATE	APR 2019	CHECKED	DJR	

**DBFL**  
 Dublin Office: Ormond House, Upper Ormond Quay, Dublin 7, Ireland. PHONE +353 1 400 4000 FAX +353 1 400 4050  
 Waterford Office: Unit 2, The Chandlery, 1-2 O'Connell Street, Waterford, Ireland. PHONE +353 51 309 5500 FAX +353 51 844 913  
 DBFL Consulting Engineers email: info@dbfl.ie site: www.dbfl.ie

PROJECT  
**LANDS AT CAPDOO, CLANE, CO. KILDARE**

DRG. TITLE  
**TYPICAL DRAINAGE DETAILS SHEET 2**

CLIENT  
**ARDSTONE RESIDENTIAL FUND**

SCALE	1:500 @A1	FILE REF.	162074-3012
DRG. NO.	162074-3012		